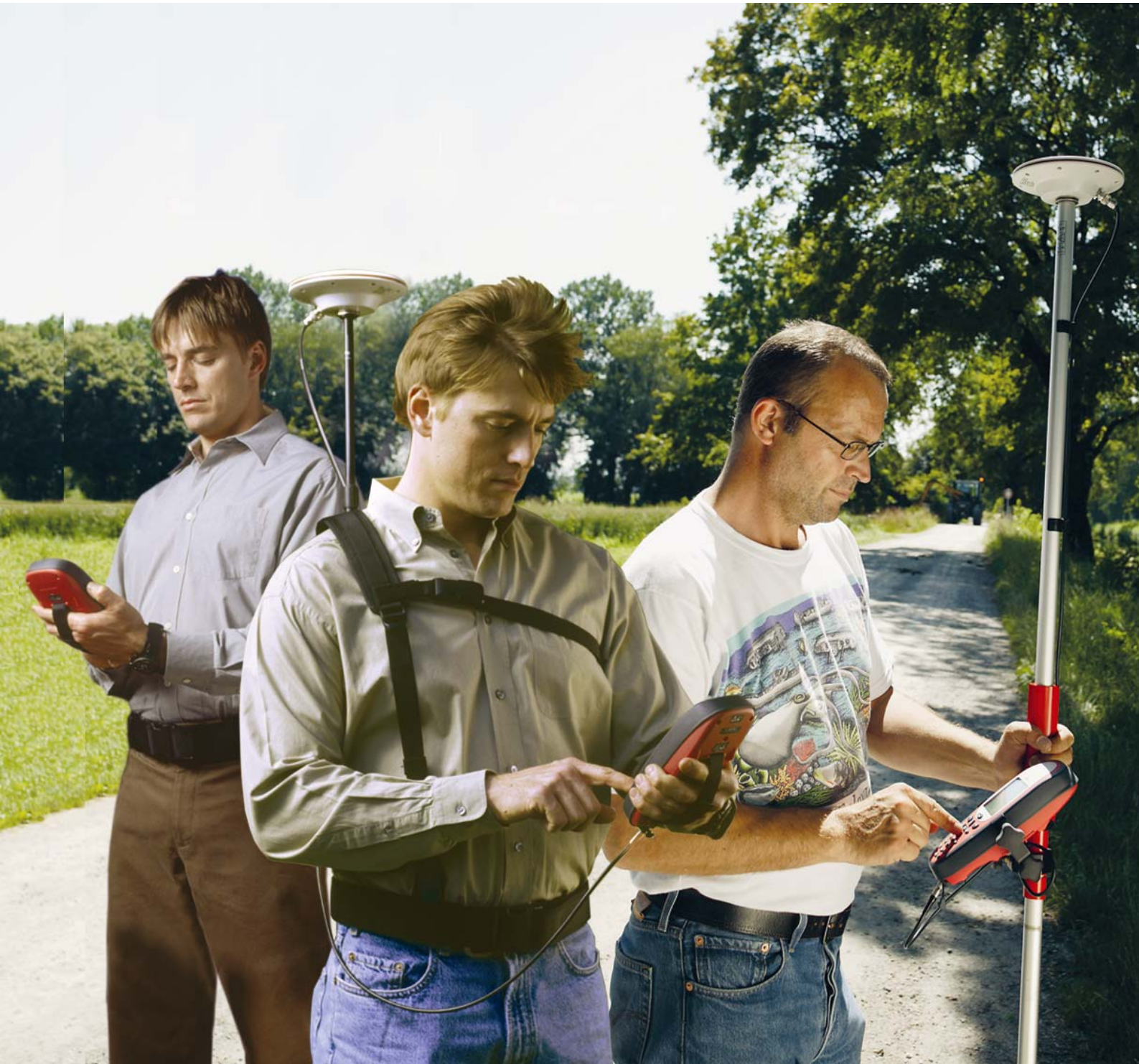


Leica GS20, SR20 Equipment List



- when it has to be **right**

Leica
Geosystems

Overview

Leica GS20 Professional Data Mapper

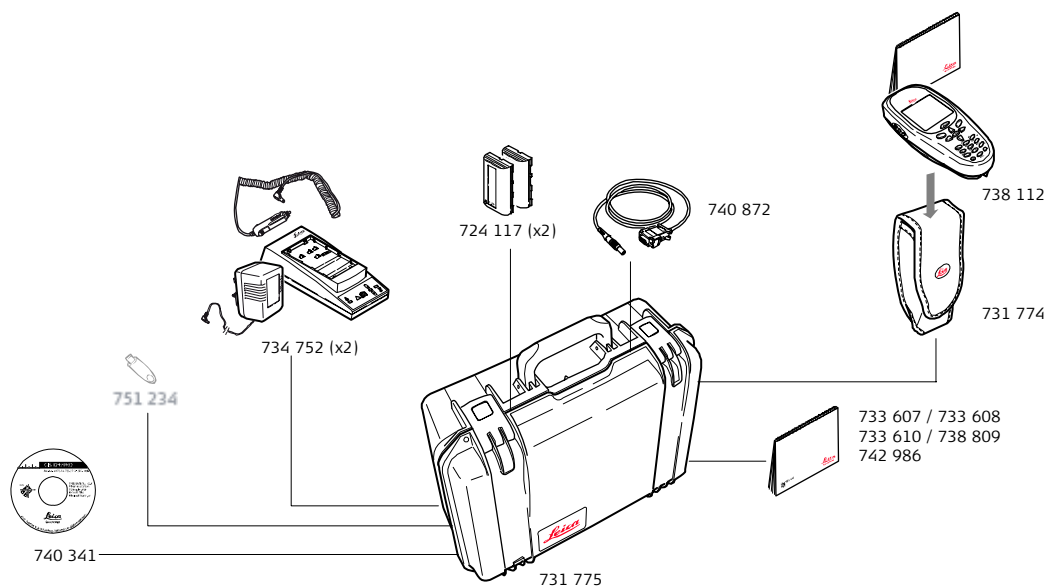
LEICA GS20 Standard Package	4
LEICA GS20 with external Antenna	5

LEICA SR20 Single Frequency Survey Solution

LEICA SR20 Two Receiver Standard Package.....	6
LEICA SR20 One Receiver Standard Package.....	7

Leica GS20 Standard Package

Base package for GPS/GIS Data collection



734 138 Leica GS20 Standard Package

Package includes:

- 738112 GS20 PDM Handheld GPS Receiver
- 731774 GS20 Soft Case
- 724117 Battery 7,2V, Li-Ion
- 734752 GKL211, Charger BASIC, for Li-Ion batteries GEB221 and GEB211, car adapter cable and net adapter included.
- 740872 Data transfer cable, GS20 to RS232
- 731775 Hard Case for Std. Pkg. GS20
- 740341 GIS Data-PRO Software

Getting Started Guide:

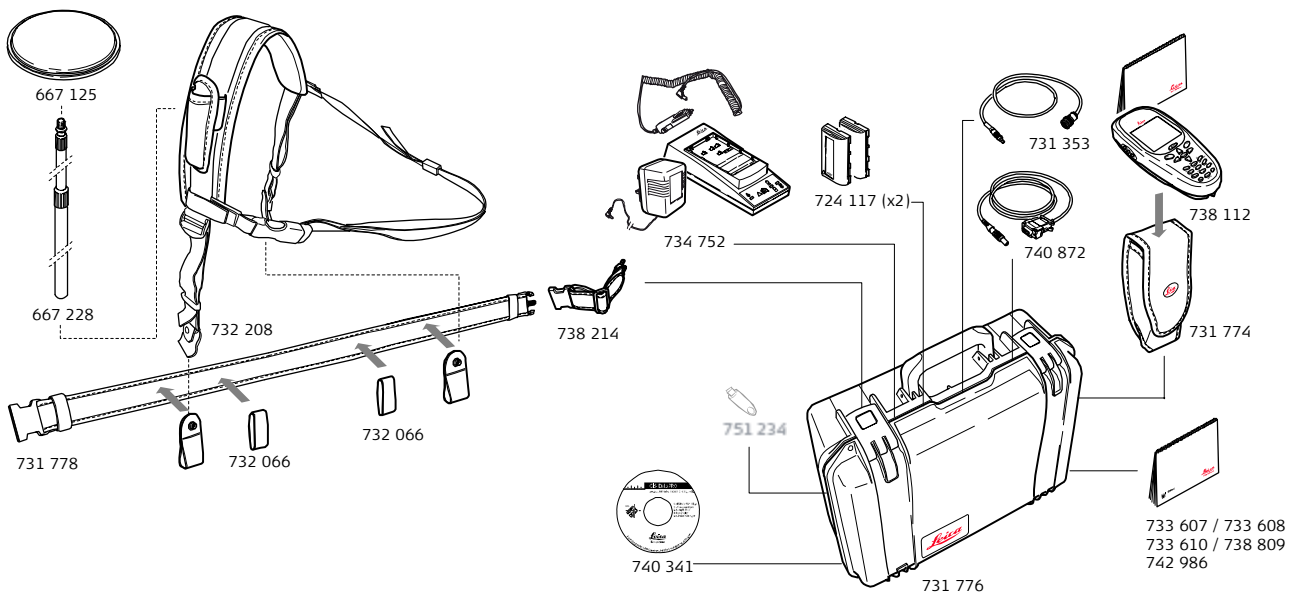
- 733607 Getting Started Guide GS20, en
- 733608 Getting Started Guide GS20, de
- 733610 Getting Started Guide GS20, es
- 738809 Getting Started Guide GS20, jp
- 742986 Getting Started Guide GS20, it

Optional Accessories (grey)

- 738940 Cultivated Field control application program for GS20 and SR20 receiver
- 742020 Conversion of GS20 to SR20
- 751234 BELKIN Bluetooth USB-Adapter

Leica GS20 with external Antenna

External antenna package for GPS/GIS Data collection



734 140 Leica GS20 with external Antenna

Package includes:

- 738112 GS20 PDM Handheld GPS Receiver
- 731774 GS20 Soft Case
- 724117 Battery 7,2V, Li-Ion
- 734752 GKL211, Charger BASIC, for Li-Ion batteries GEB221 and GEB211, car adapter cable and net adapter included.
- 740872 Data transfer cable, GS20 to RS232
- 740341 GIS Data-PRO Software
- 667125 AT501 External antenna
- 731353 Antenna cable, GS20 to External antenna
- 732208 External antenna sling
- 667228 Telescopic rod w/ 5/8" Adapter

- 731778 WoRCS Belt M
- 738214 WoRCS Belt Extension for 731778
- 732066 Belt keepers (Set of 4)
- 731776 GS20 Hard case for WoRCS Package

Getting Started Guide:

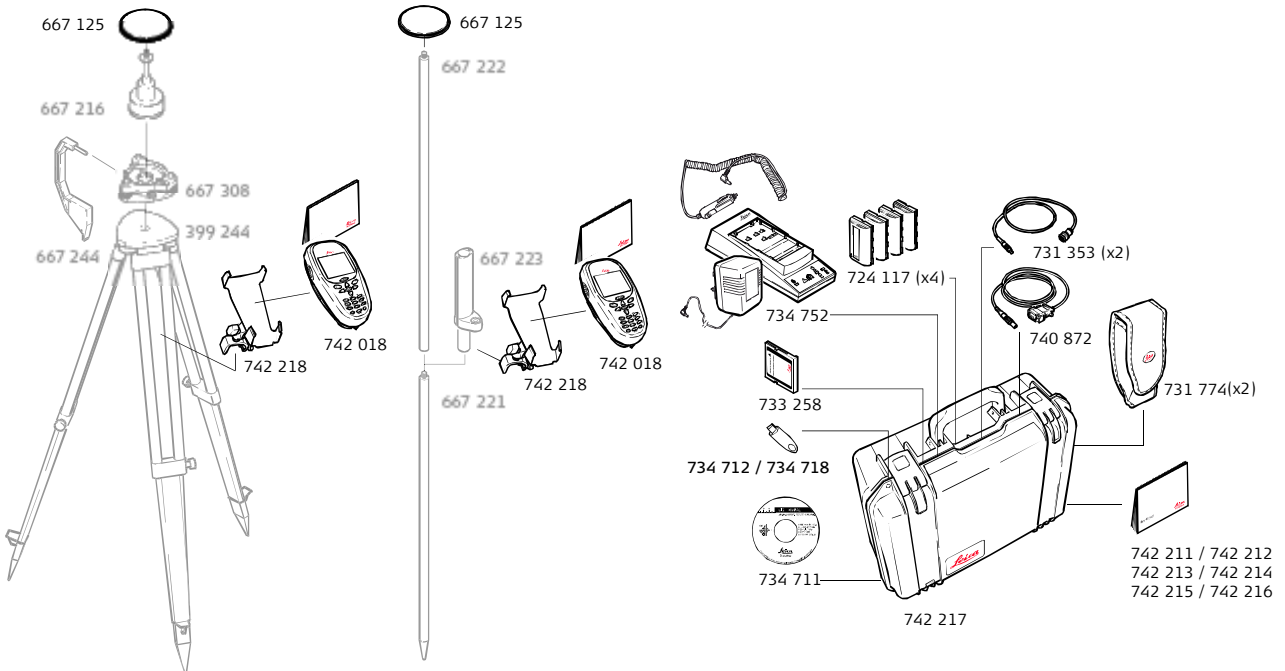
- 733607 Getting Started Guide GS20, en
- 733608 Getting Started Guide GS20, de
- 733610 Getting Started Guide GS20, es
- 738809 Getting Started Guide GS20, jp
- 742986 Getting Started Guide GS20, it

Optional Accessories (grey)

- 738940 Cultivated Field control application program for GS20 and SR20 receiver
- 742020 Conversion of GS20 to SR20
- 751234 BELKIN Bluetooth USB-Adapter

Leica SR20 Two Receiver Standard Package

Leica SR20 Two Receive Standard Package



742 432 Leica SR20 Two Receiver Standard Package (bold)

Package includes:

742018	SR20 Handheld GPS Receiver	667125	AT501 Single Frequency Antenna with 5/8" thread
724117	GEB90 Battery, Li-Ion 7.2V 2100mAh	731353	Antenna Cable, GS20 to External Antenna
731774	Soft bag	742218	Pole Mount Bracket for SR20/GS20
734752	GKL211, Charger BASIC, for Li-Ion batteries GEB221 and GEB211, car adapter cable and net adapter included		
733258	MCFAD1 CF Card Adapter		
742217	SR20 Hard Carrying Case		
740872	Data Transfer Cable, GS20 to RS232		
734711	LGO software CD		
742466	Data-processing for SR20 GPS receivers, for code and phase, protected option.		
734712	Dongle Parallel Port		

Getting Started Guide:

742211	Getting Started Guide SR20, en
742212	Getting Started Guide SR20, de
742213	Getting Started Guide SR20, fr
742214	Getting Started Guide SR20, es
742215	Getting Started Guide SR20, bras.-port.
742216	Getting Started Guide SR20, ru

Optional Accessories (grey)



399244 Tripod GST05, telescopic, with polymer coating, with accessories.



667216 GRT146 Carrier with 5/8 inch screw, GPS antenna screws on directly.



667308 Tribrach GDF112 BASIC, with optical plummet, pale green/red.



667244 Height hook with integrated tape measure.



667221 Bottom section aluminium pole with steel tip.

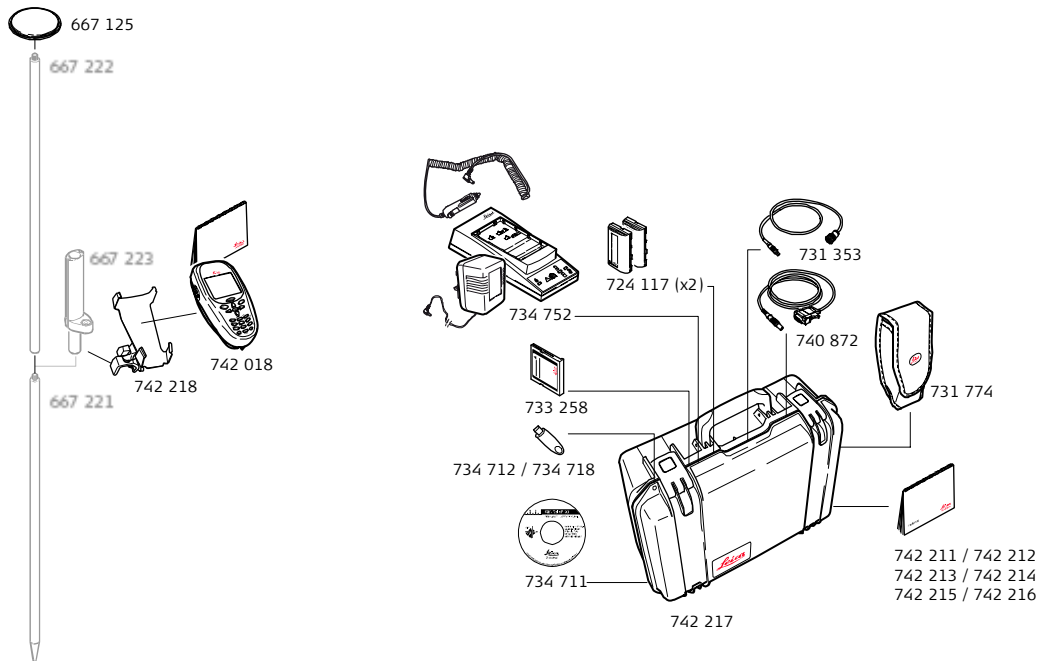


667223 Grip with circular bubble and fixing element.

667222 Top section aluminium pole with 5/8" screw.

Leica SR20 One Receiver Standard Package

Leica SR20 One Receiver Standard Package





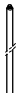
742 433 Leica SR20 One Receiver Standard Package (bold)

Package includes:

742018	SR20 Handheld GPS Receiver	667125	AT501 Single Frequency Antenna with 5/8" thread
724117	GEB90 Battery, Li-Ion 7.2V 2100mAh	731353	Antenna Cable, GS20 to External Antenna
731774	Soft bag	742218	Pole Mount Bracket for SR20/GS20
734752	GKL211, Charger BASIC, for Li-Ion batteries GEB221 and GEB211, car adapter cable and net adapter included.		
733258	MCFAD1 CF Card Adapter		
742217	SR20 Hard Carrying Case	742211	Getting Started Guide SR20, en
740872	Data Transfer Cable, GS20 to RS232	742212	Getting Started Guide SR20, de
734711	LGO software CD	742213	Getting Started Guide SR20, fr
742466	Data-processing for SR20 GPS receivers, for code and phase, protected option.	742214	Getting Started Guide SR20, es
734712	Dongle Parallel Port	742215	Getting Started Guide SR20, bras.-port.
		742216	Getting Started Guide SR20, ru

Getting Started Guide:

Optional Accessories (grey)

	667221	Bottom section aluminium pole with steel tip.		667223	Grip with circular bubble and fixing element.
	667222	Top section aluminium pole with 5/8" screw.			

Whether you want to map a utility service and update its GIS information, as-built a civil or industrial infrastructure to create a 2D or 3D CAD model, complete all of your work on site in real-time using a mobile computing system and Leica sensors.

Leica Geosystems offers the right mobile solution for your industry that provides reliable and precise data, advanced user-friendly work process and custom deliverables directly in the field as well as in your office. Measure once, complete your work on site and deliver efficiently.

When it has to be right.

Illustrations, descriptions and technical specifications are not binding and may change.
Printed in Switzerland – Copyright Leica Geosystems AG, Heerbrugg, Switzerland, 2006.
746 193en – XII.07 – INT